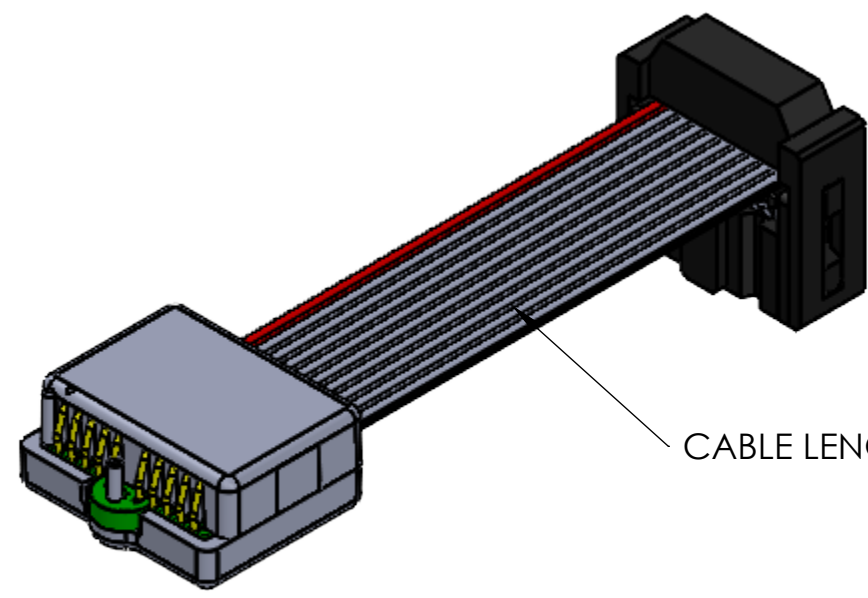
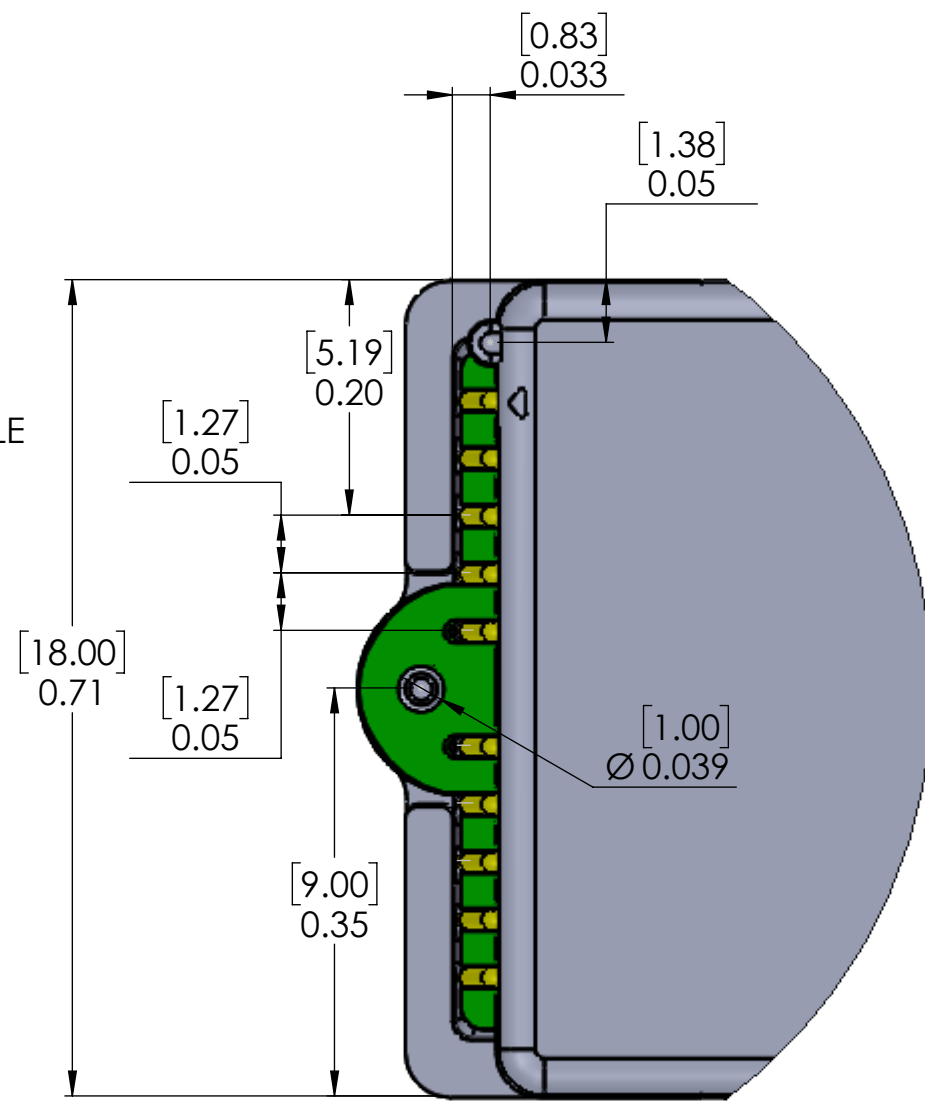


DATASHEET FOR ECV3-10 PIN EDGE-CONNECT (TM) CABLE

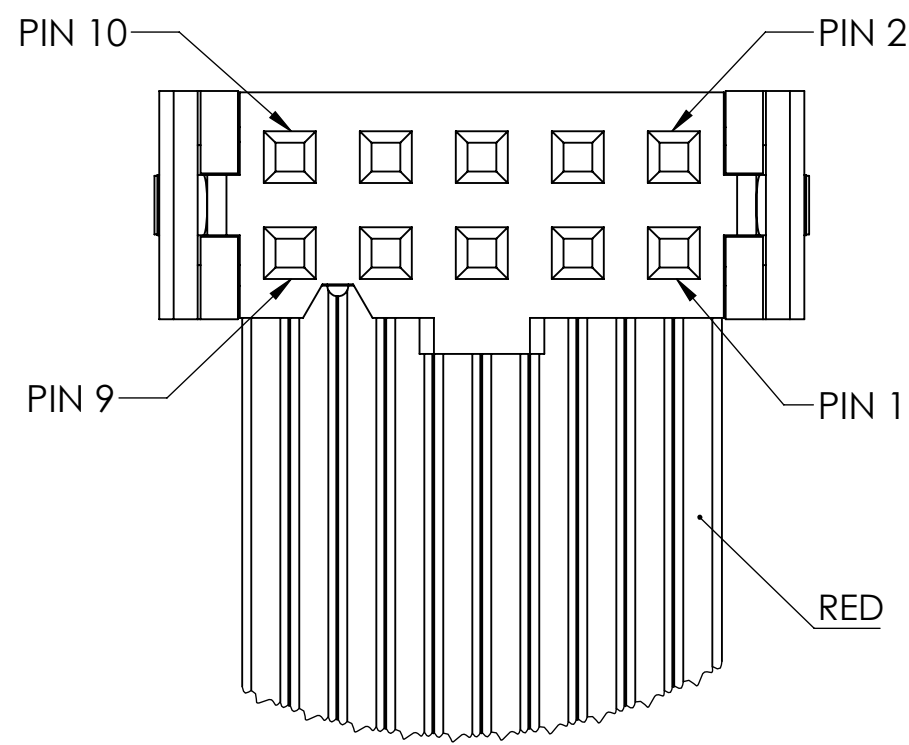
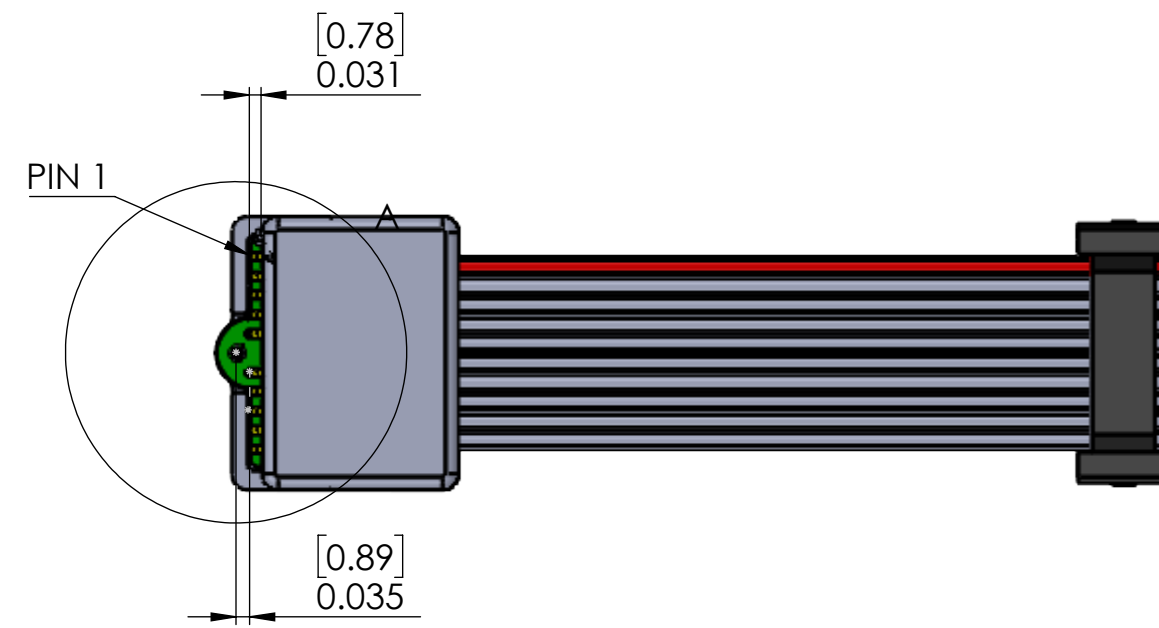
REV	DESCRIPTION	DATE	REV BY
A	INITIAL RELEASE	12/13/2023	B. HOPKINS



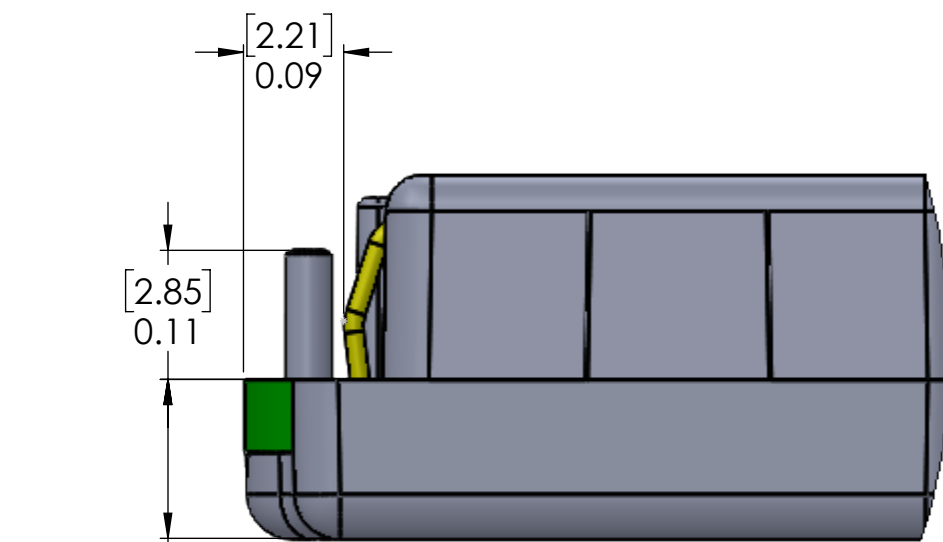
CABLE LENGTH NOT TO SCALE



DETAIL A
SCALE 6 : 1

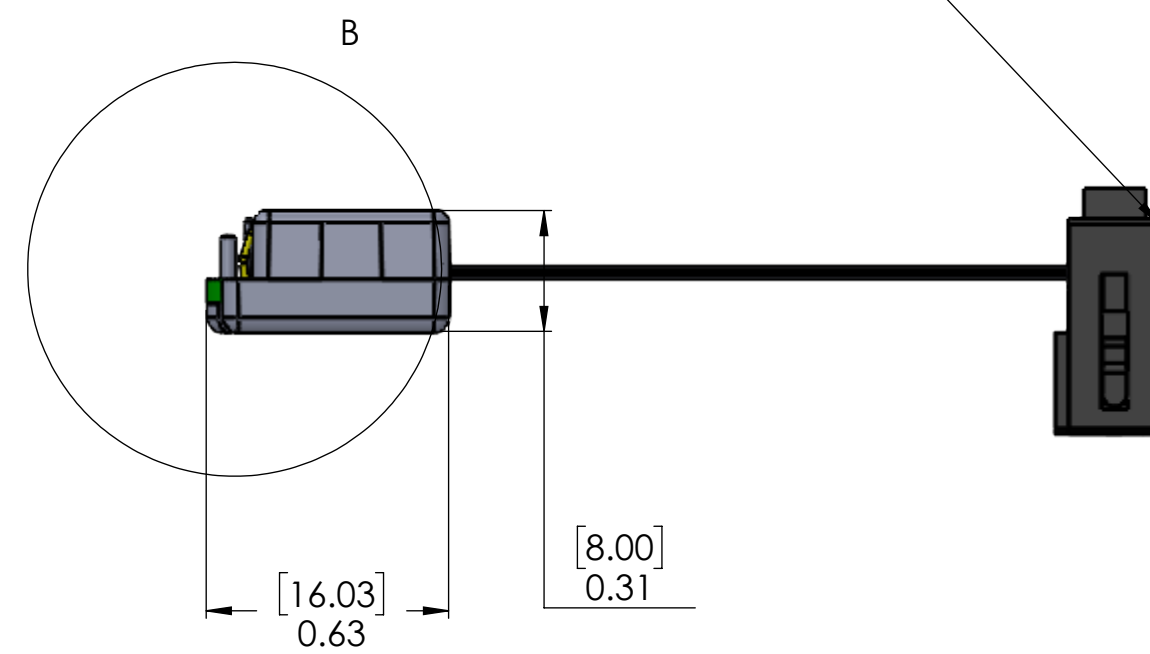


DETAIL C
SCALE 5 : 1



DETAIL B
SCALE 6 : 1

10 POS 0.100" [2.54MM] FEMALE IDC
CONNECTOR WITH STRAIN RELIEF



SEE PCB LAYOUT DETAILS ON SHEET 2
FOR MATING BOARD FOOTPRINT.
DIMENSIONS ARE SUBJECT TO CHANGE.

SIZE	PART NO.	DESC.	REV
A	ECV3-10	EDGE-CONNECT, EC3 10 PIN	A
DO NOT SCALE		www.TAG-CONNECT.com	SHEET 1 OF 2

4

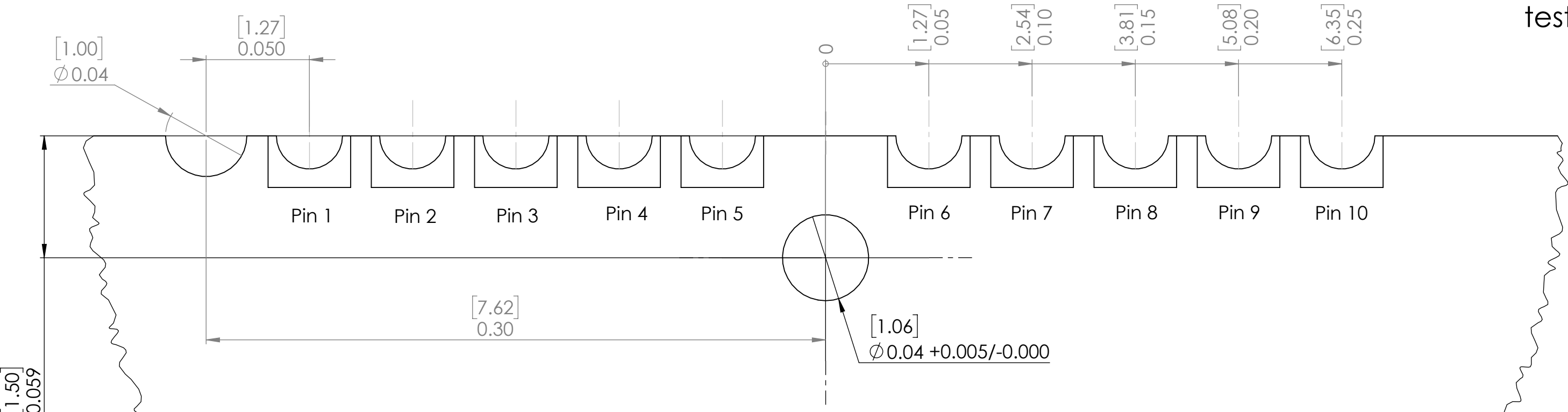
3

2

1

[0.80]
MIN 0.03
PCB THK

Thinner PCB Thicknesses
may be used, but must be
tested by the end user.

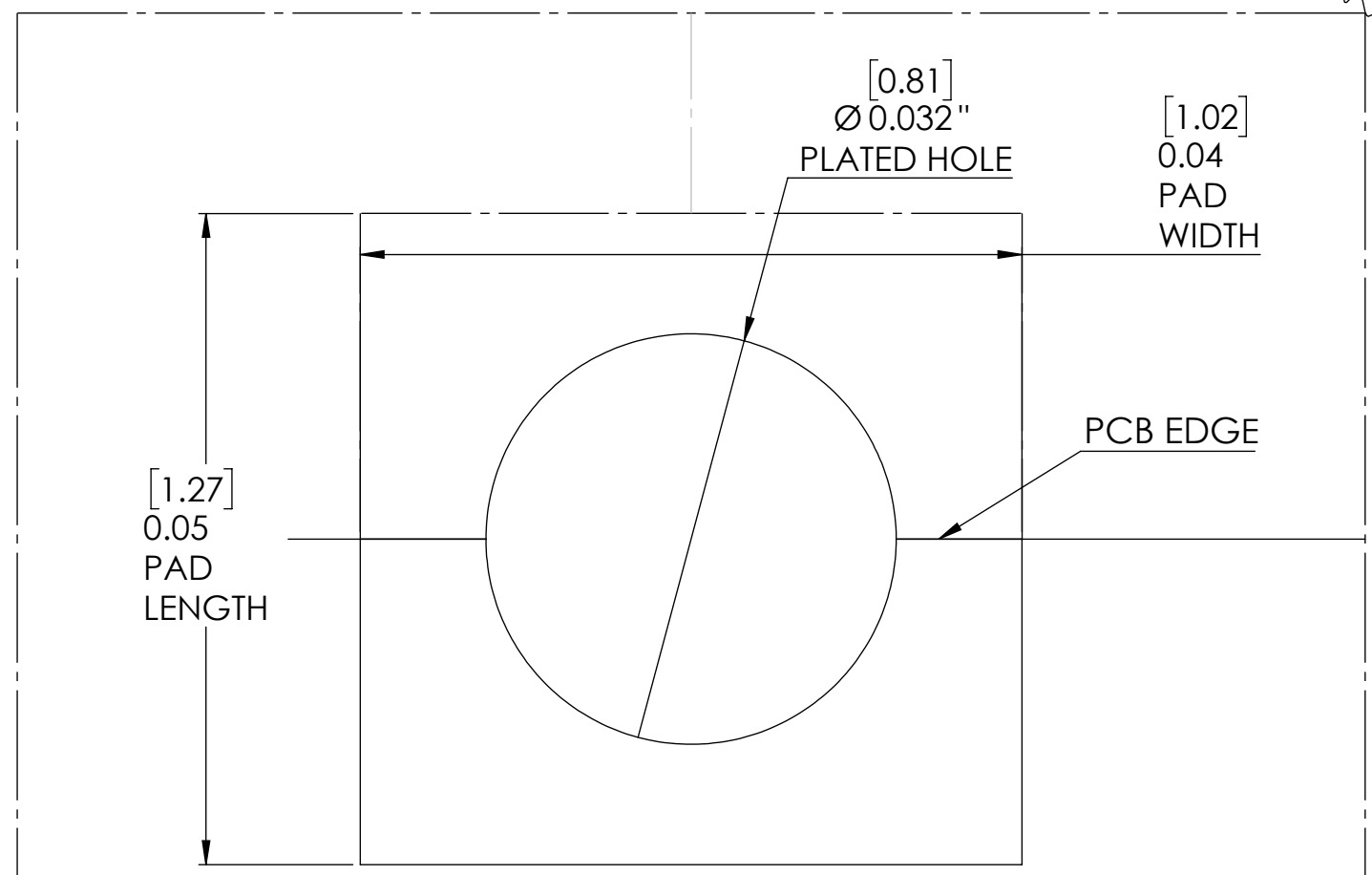


PCB BOARD

DETAIL D
SCALE 20 : 1

Note:
All holes need to be placed within
0.002 inches [0.005mm] from the
center pin location.

All hole diameters need to be
made within 0.005 inches [0.1mm] of
the nominal hole.



PCB BOARD

ECV3-10 MATING PCB FOOTPRINT

SIZE A	PART NO. ECV3-10	DESC. EDGE-CONNECT, EC3 10 PIN	REV A
DO NOT SCALE		www.TAG-CONNECT.com	SHEET 2 OF 2

4

3

2

1

D

D

C

C

B

B

A

A