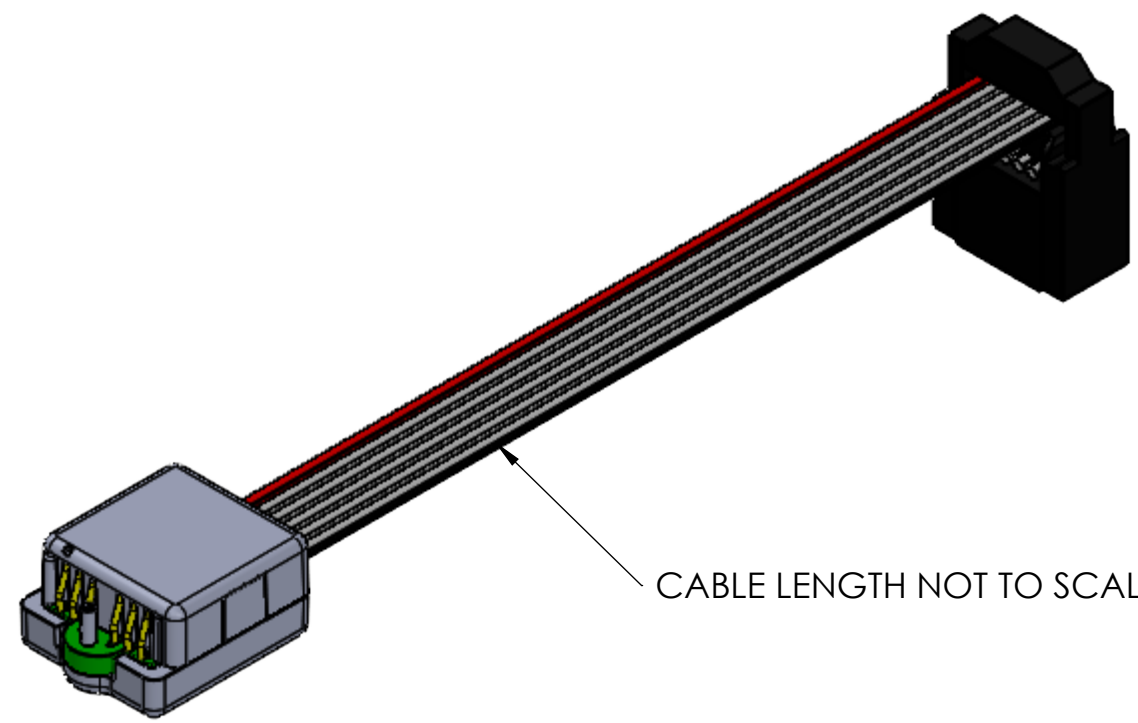
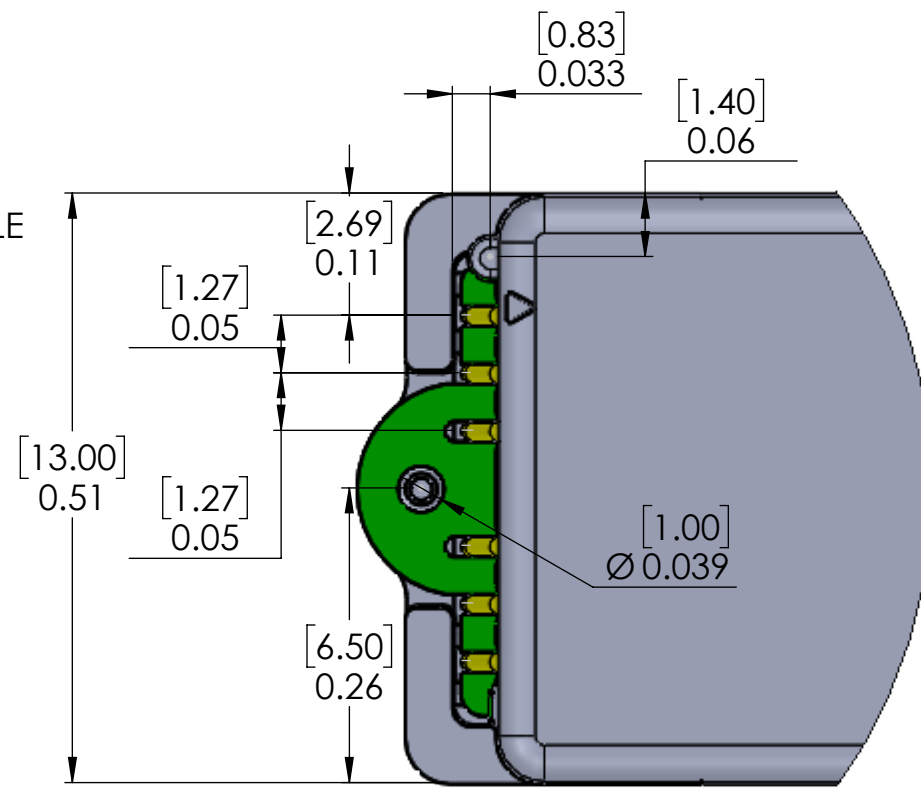


DATASHEET FOR EC3-6 PIN EDGE-CONNECT (TM) CABLE

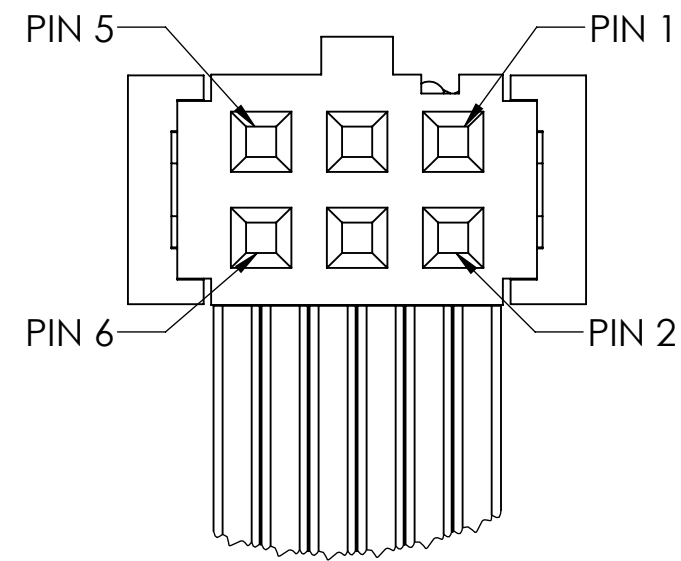
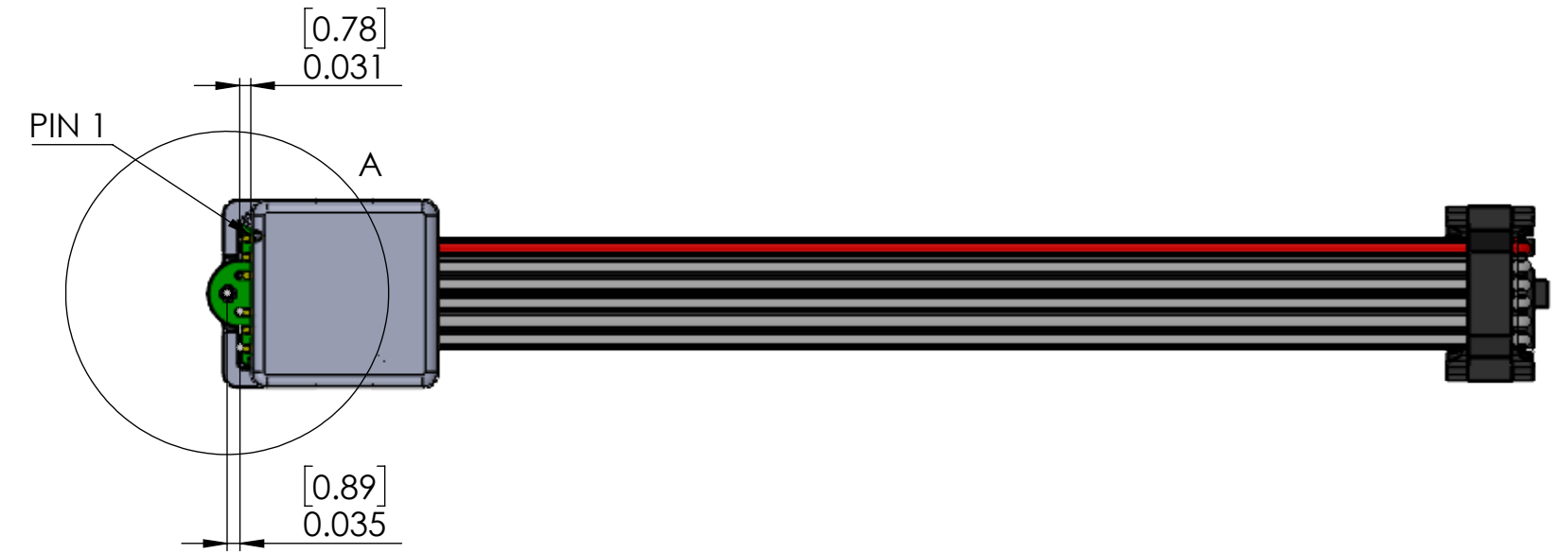
| REV | DESCRIPTION     | DATE       | REV BY     |
|-----|-----------------|------------|------------|
| A   | INITIAL RELEASE | 12/13/2023 | B. HOPKINS |



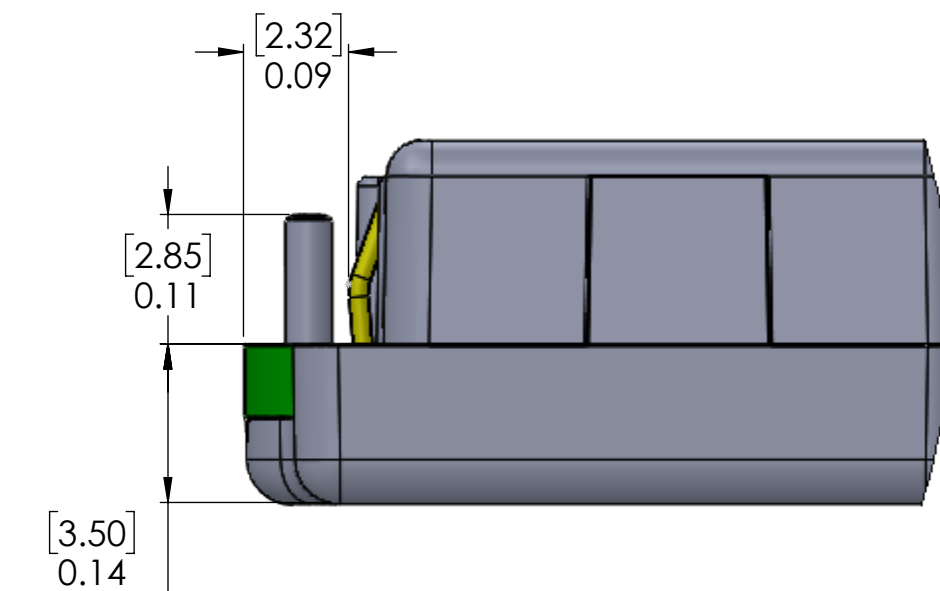
CABLE LENGTH NOT TO SCALE



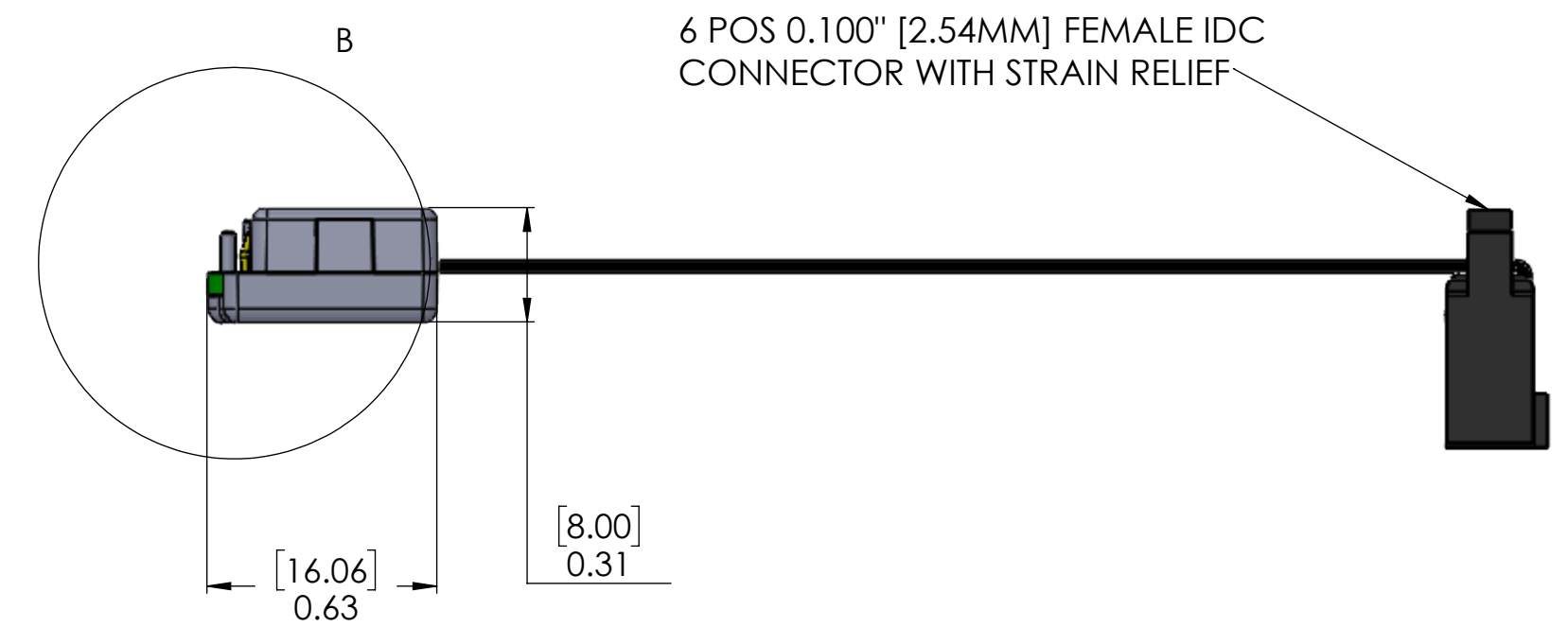
DETAIL A  
SCALE 6 : 1



DETAIL C  
SCALE 5 : 1



DETAIL B  
SCALE 6 : 1



SEE PCB LAYOUT DETAILS ON SHEET 2  
FOR MATING BOARD FOOTPRINT.  
DIMENSIONS ARE SUBJECT TO CHANGE.

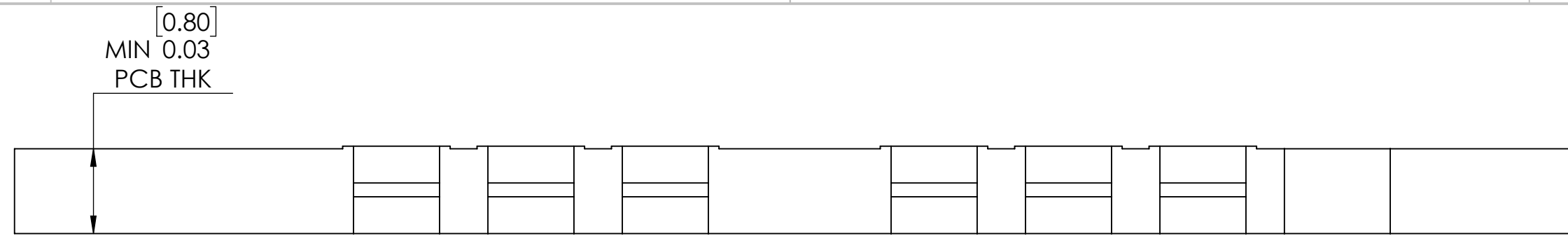
| SIZE         | PART NO.    | DESC.                   | REV          |
|--------------|-------------|-------------------------|--------------|
| <b>A</b>     | ECV3-06-IDC | EDGE-CONNECT, EC3 6 PIN | <b>A</b>     |
| DO NOT SCALE |             | www.TAG-CONNECT.com     | SHEET 1 OF 2 |

4

3

2

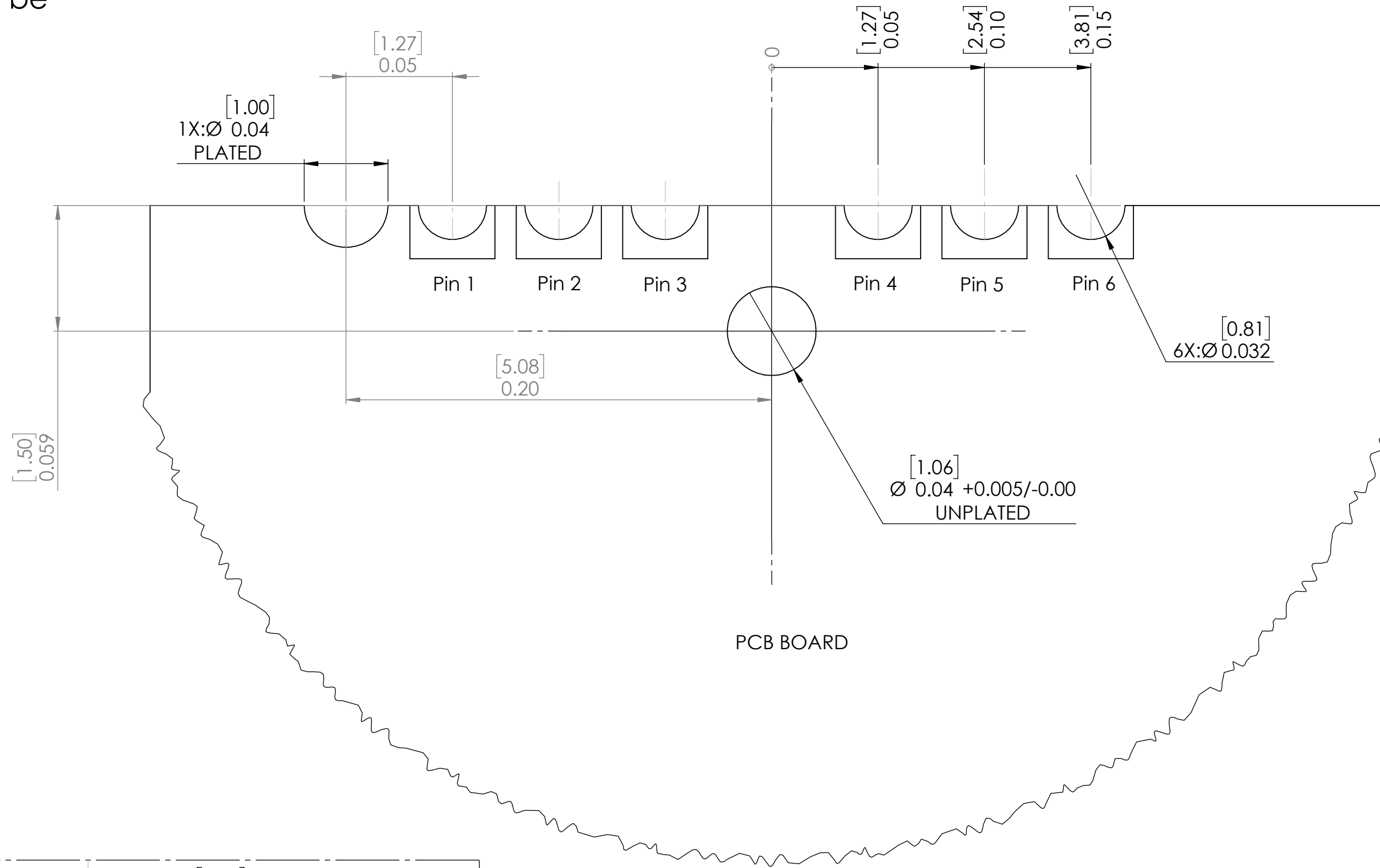
1



D

Thinner PCB Thicknesses may be used, but must be tested by the end user.

D



C

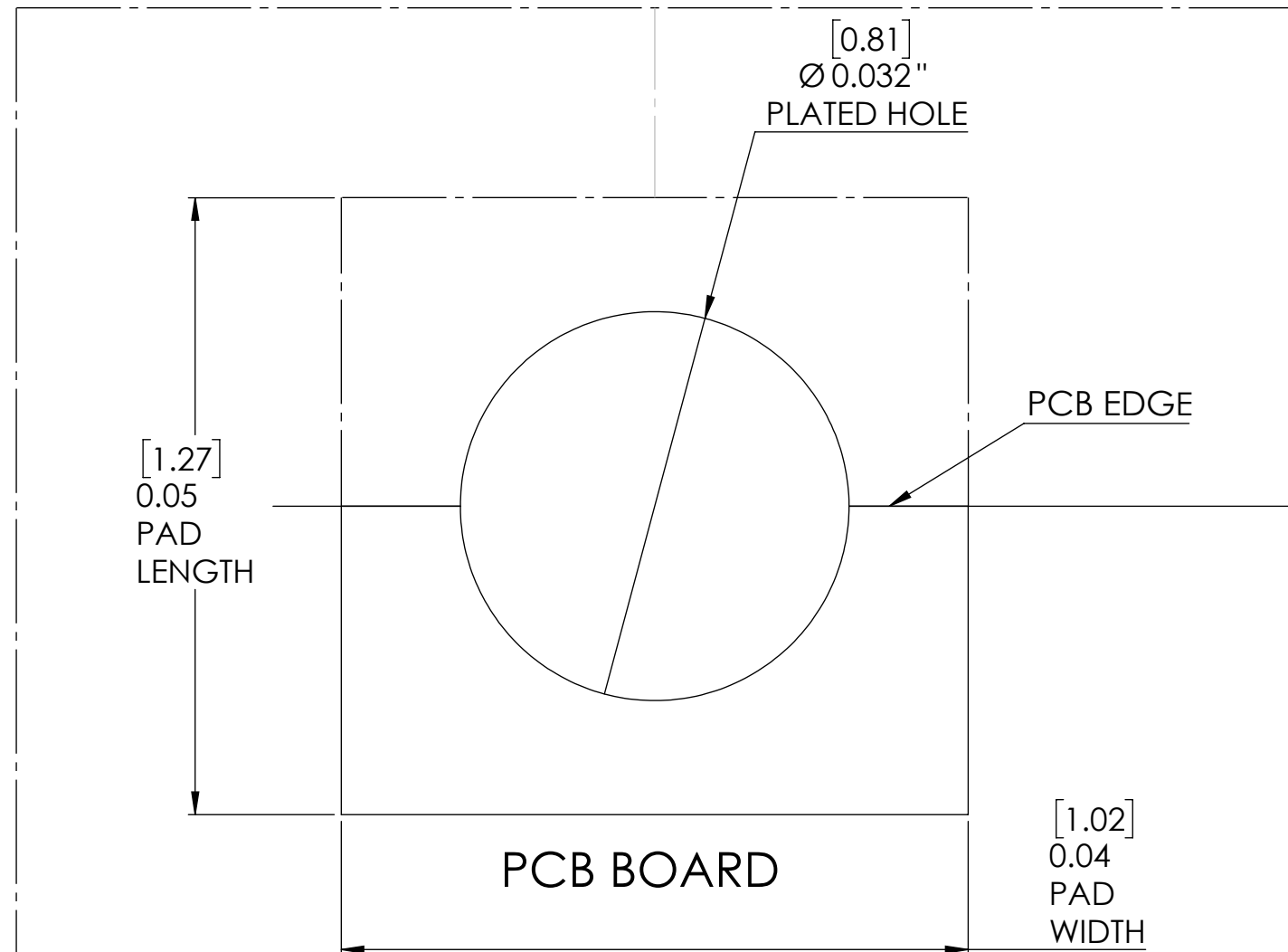
C

B

B

A

A



DETAIL D  
SCALE 20 : 1

Note:

All holes need to be placed within 0.002 inches [0.005mm] from the center pin location.

All hole diameters need to be made within 0.005 inches [0.1mm] of the nominal hole.

**EC3-06 MATING PCB FOOTPRINT**

|                  |                    |                                  |                 |
|------------------|--------------------|----------------------------------|-----------------|
| SIZE<br><b>A</b> | PART NO.<br>EC3-06 | DESC.<br>EDGE-CONNECT, EC3 6 PIN | REV<br><b>A</b> |
| DO NOT SCALE     |                    | www.TAG-CONNECT.com              | SHEET 2 OF 2    |

4

3

2

1